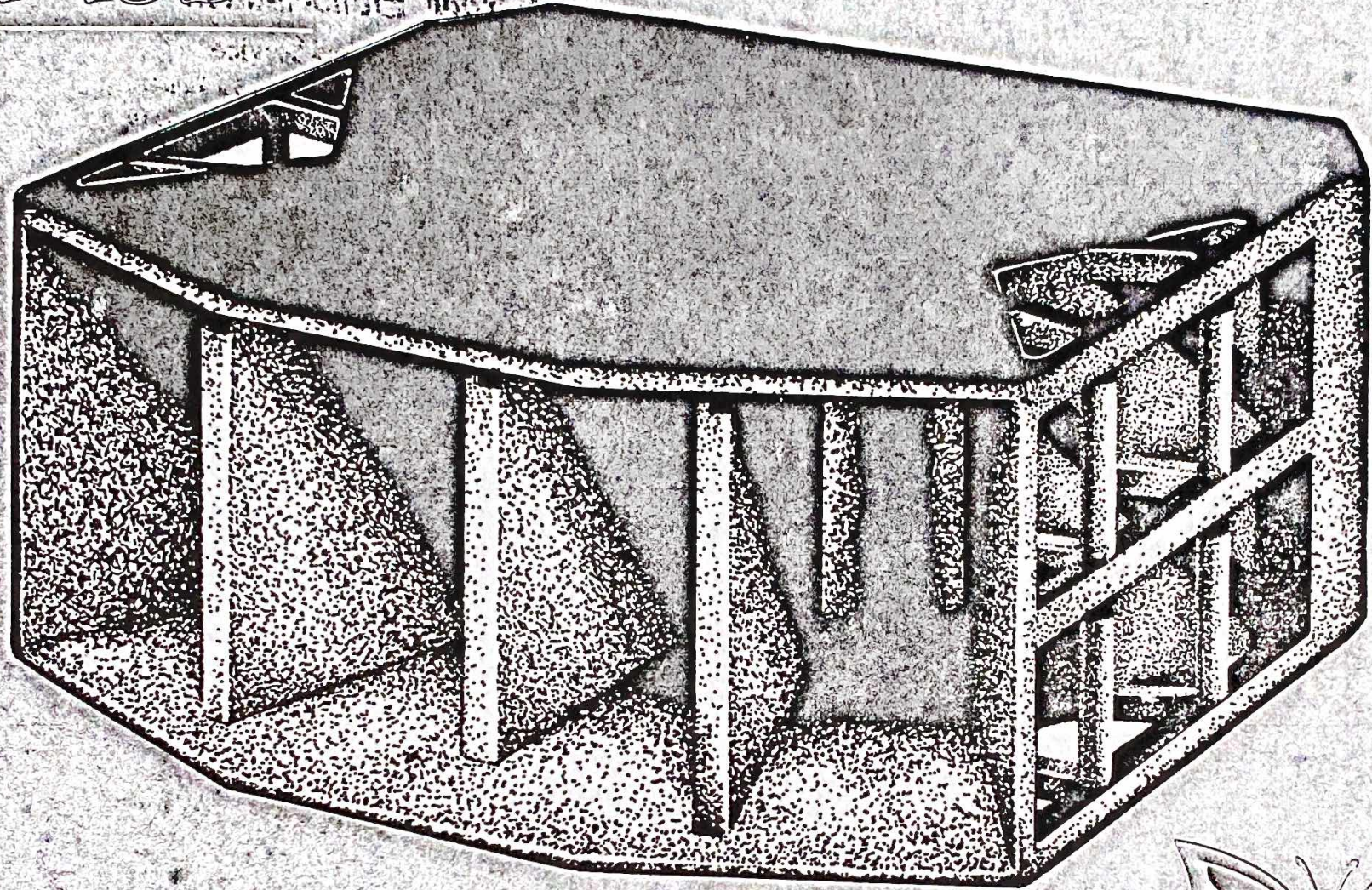
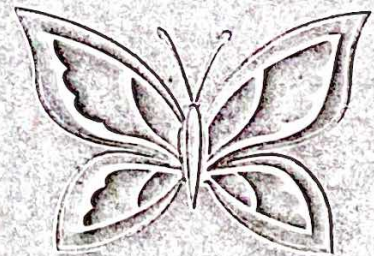


LT-15B



Butterfly LT SERIES

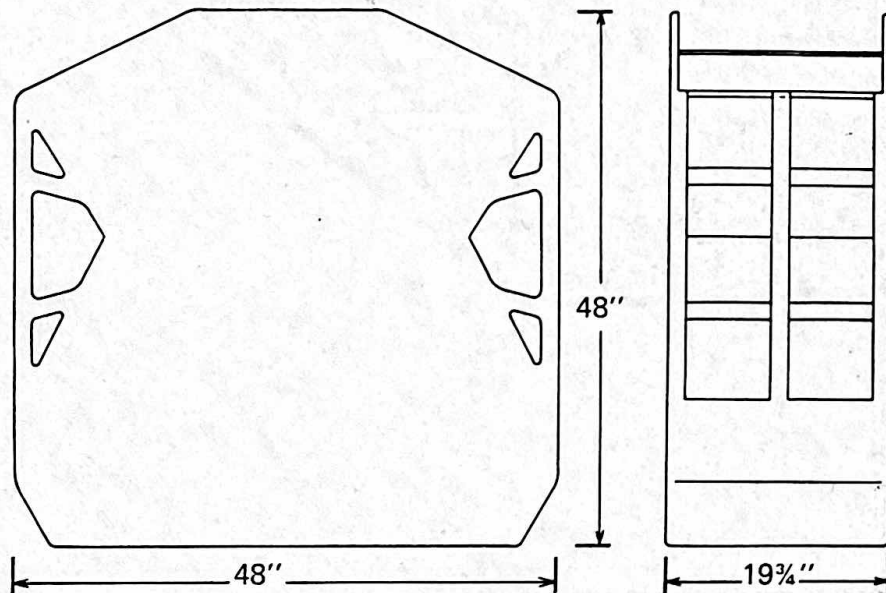


Butterfly "LT" SERIES

LT-15B

ARCHITECTURAL SPECIFICATIONS:

The cabinet shall be a folded, front loaded dual exponential horn type constructed on the honeycomb principle. It shall compliment most 15" professional bass drivers in a 2 cu. ft. chamber. Effective loading will be 3:1 into a 6 ft. dual pipe at a flare rate of 45Hz. No point on the cabinet shall be unsupported at a distance greater than 8" from two surfaces. Maximum efficiency to be attained in the upper 2nd octave range (60-80Hz). Construction shall be of 15 ply 3/4 in. aircraft grade yellow birch on all structural surfaces and hi-density particleboard on all acoustical surfaces. No production method or lack of, shall compromise the structural and acoustical qualities of this cabinet. Emphasis shall be also placed on durability, ruggedability and ease of handling. The external finish will be a vinyl stipple and connection will be made with a single 1/4" phone jack with facility to install twist-lock type or alternative. Caster mounts to be provided on back of cabinet.



TECHNICAL SPECIFICATIONS:

SIZE – 48" x 19 3/4" x 47 3/4" Deep
 WEIGHT – 190 Lbs. (Cabinet Only)
 MOUTH AREA – 900 Square Inches
 THROAT AREA – 41.5 Square Inches
 HORN LENGTH – 72"
 FLARE RATE – 45 Hz

PERFORMANCE SPECIFICATIONS:

AVERAGE SENSITIVITY – Using ATC 15" BLC)

103 DB 1W. @ 1M.	60 - 500Hz. 1 Unit
105 DB 1W. @ 1M.	60 - 500Hz. 2 Units
107 DB 1W. @ 1M.	60 - 500Hz. 4 Units

CUTOFF RATE – 24 DB./Oct. below 60Hz.

HI FREQUENCY LIMIT – 500Hz.

LO FREQUENCY LIMIT –

Stable to speaker f_R with 35Hz being practical limit.

POWER CAPACITY – 200 Watts continuous R.M.S. w/ATC 15" BLC

CABINET EFFICIENCY – 18 DB @ 60 Hz.

BERGER
SON & LUMIERE
 SERVICE - VENTE - LOCATION
 MATÉRIEL DE SON ET ÉCLAIRAGE

140, RUE LONGUEUIL, (514) 346-5310
 SAINT-JEAN-SUR-RICHELIEU, J3B 8B6