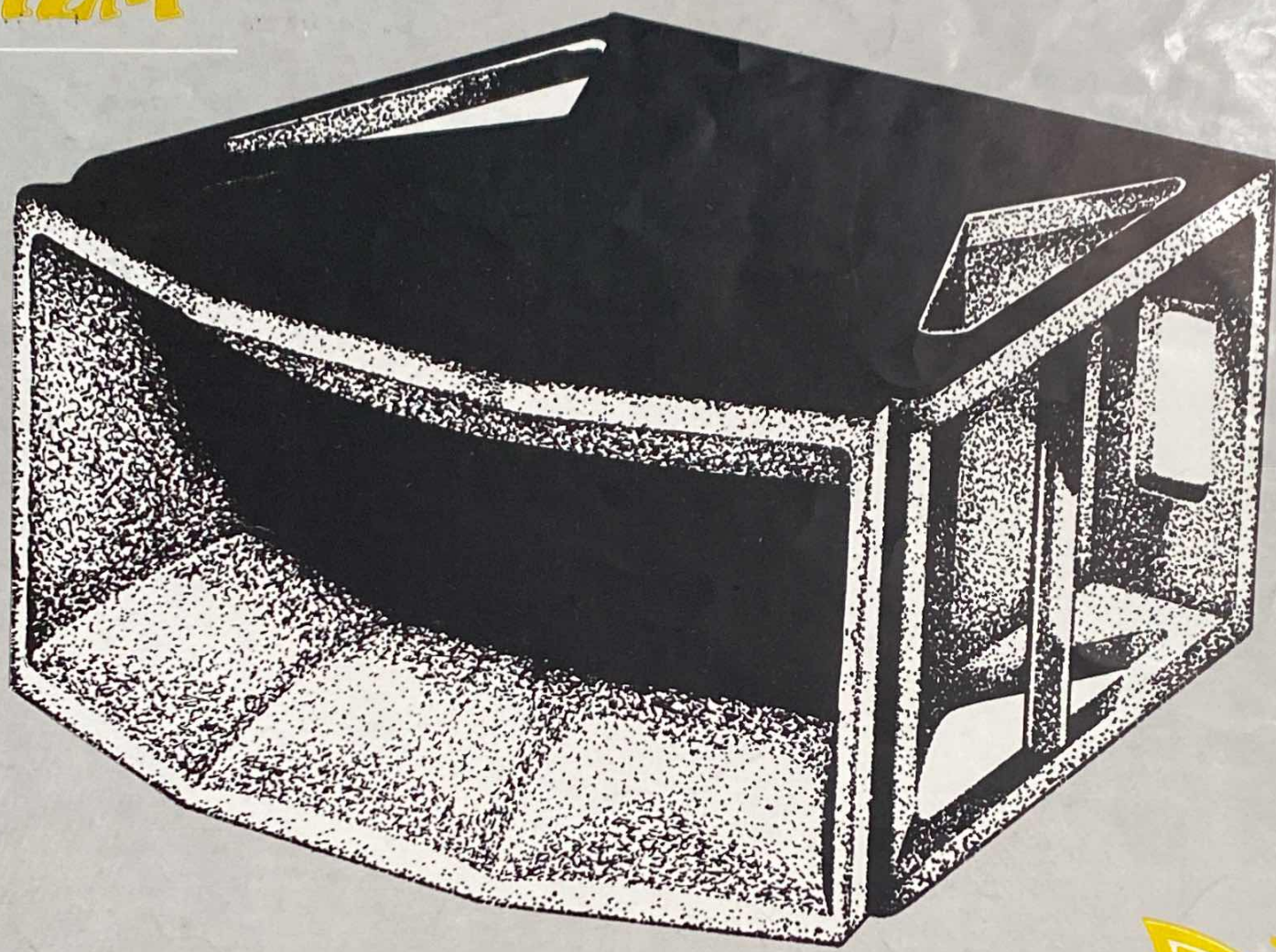


LT-12M



Butterfly LT[™] SERIES



Butterfly "LT" SERIES

Berger Sonorisation
Vente - Location - Service

140 Longueuil,
(Quebec) J3B 8B6

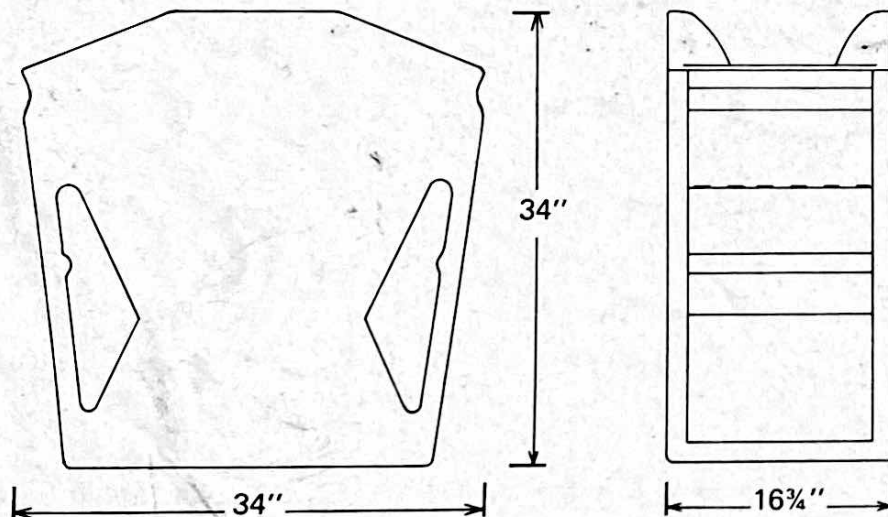
St-Jean-Sur-Richelieu
(514) 346-5310

LT-12M

ARCHITECTURAL SPECIFICATIONS:

The cabinet shall be of a front loaded compound exponential horn developed for the ATC 12" PDM speaker. Its useful range will be from 150Hz to 1500Hz for use as a lower midrange unit. Frequency response shall be shaped to produce maximum efficiency at centre response of 500Hz with a distinct slope in either direction to enhance cutoff frequency in both lower and upper limits. The speaker shall be loaded into a moulded compression dome/phase plug with a compression capability of 1½ BAR at .125" from the centre dome on the forward motion. Speaker will be loaded at .250" from dome edge. Dispersion shall be 60° on the horizontal axis and 40° on the vertical.

Construction shall be of 15 ply ¾ Inch aircraft grade yellow birch throughout, with the front horn being moulded with a skin of fibreglass sandwiching a midium of mid density rigid urethane to attain a characteristic of hardwood resonance. No production method or lack of, will compromise the structural and acoustical qualities of this cabinet. Emphasis shall be also placed on durability, ruggedability and ease of handling. The external finish will be a vinyl stipple and connection will be made with a single ¼" phone plug with facility to install twist-lock type or alternative. Caster mounts to be provided on back of cabinet.



TECHNICAL SPECIFICATIONS:

SIZE – 33½" x 16¾" x 33¾" Deep

WEIGHT – 105 Lb. w/ATC PDM 12"

DESIGN –

Front loaded compound exponential horn with phase plug and loading plate.

MOUTH AREA – 530 Square Inches

THROAT AREA – 12.5 Square Inches

HORN LENGTH – 24"

FLARE RATES – 85 and 170 Hz.

PERFORMANCE SPECIFICATIONS:

AVERAGE SENSITIVITY –

110 DB. 1W. @ 1M. 500 Hz. w/ATC 12" PDM

RESPONSE –

Shaped slope at 6 DB/Oct. from 500 Hz. both directions between 125 and 1500 Hz.

HI FREQUENCY LIMIT – 1500 Hz. Practical

LO FREQUENCY LIMIT – Stable to 100 Hz.

POWER CAPACITY –

200 Watts continuous R.M.S. w/ATC 12" PDM - 8 OHM.

.....
Made in Canada By:

Design Mechanix of Canada Ltd. Bobcaygeon, Ontario, Canada.

Marketing Representatives: R.M.S.

2000 Ellesmere Rd. Scarborough, Ontario, Canada M1H 2W4

(416) 439-2061